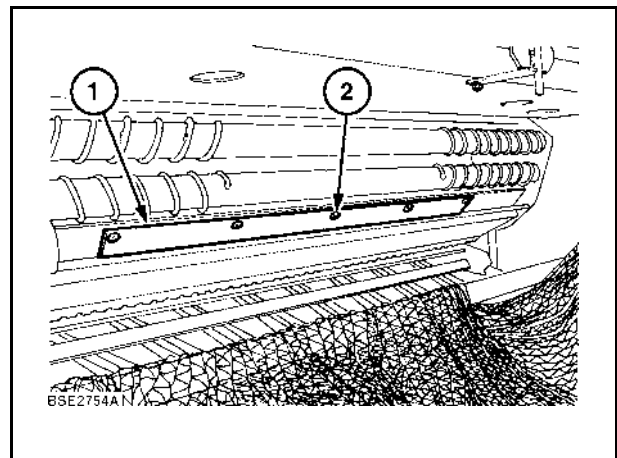


Duck Bill Baffle Plate

The Plate helps to retain the net, should there be a problem of losing the net from the Duck Bill at wrap start.

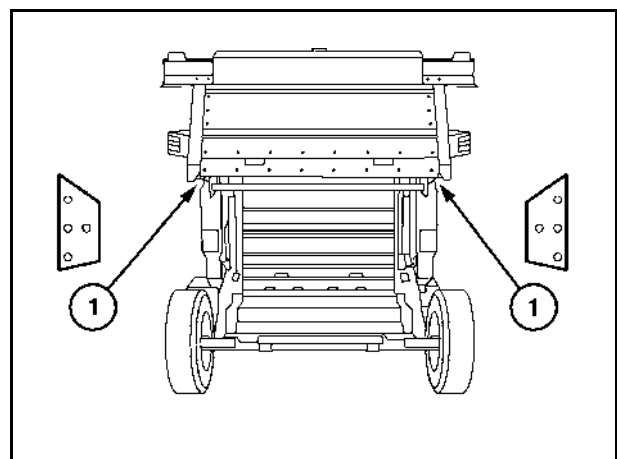
NUMBER **MODEL**
84024909 BR6090/6090Combi



Tailgate Narrowing Plates

In special crop conditions, such as light straw, the Bale might have difficulty to be ejected from the Bale chamber. In these conditions, installing the Tailgate Narrowing Plates (1) left and right inside the Tailgate will improve Bale ejection.

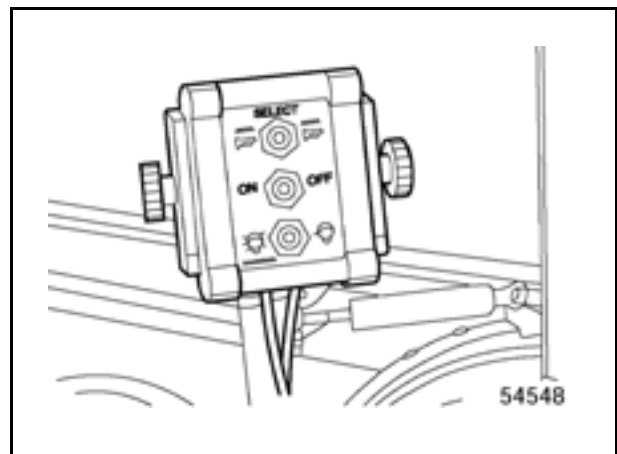
NUMBER **MODEL**
84025521 BR6080/6090/6090Combi



Twine Wrap - Electrical Control

The system provides the following features to the operator:
Manual Electric Control over Twine Wrap start. Audible alarm at full bale density.
Acoustic signal when tailgate latches.

NUMBER **MODEL**
84025984 BR6080

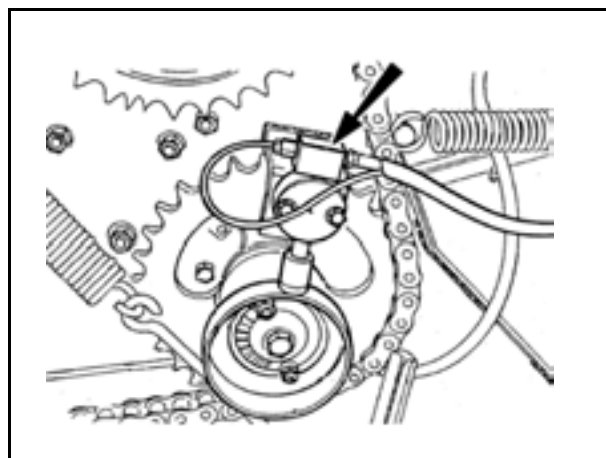


Automatic Lubrication

The Automatic Lubrication supplies a metered amount of oil to all drive chains and is controlled by restrictors inside the distribution manifold blocks.

Note: For Non-Rotor, can be adapted to Rotor Feeder.

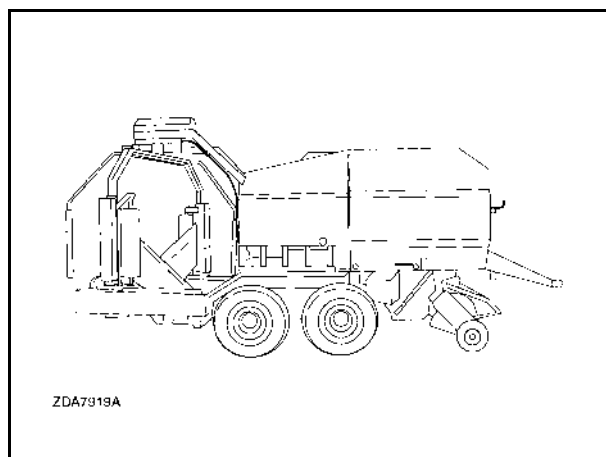
<u>NUMBER</u>	<u>MODEL</u>
84025998	BR6080/6090



Side Light Kit

Allows compliance with local road regulations in certain countries. Side Lights can be installed on both sides of the baler.

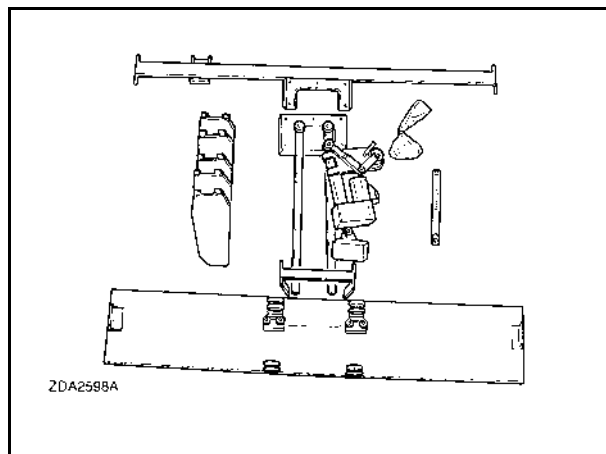
<u>NUMBER</u>	<u>MODEL</u>
84050074	BR6090Combi
Denmark	



Twine Wrapper Kit

When you want to Wrap the Bales with Twine, then the Twine Wrapper Kit has to be installed.

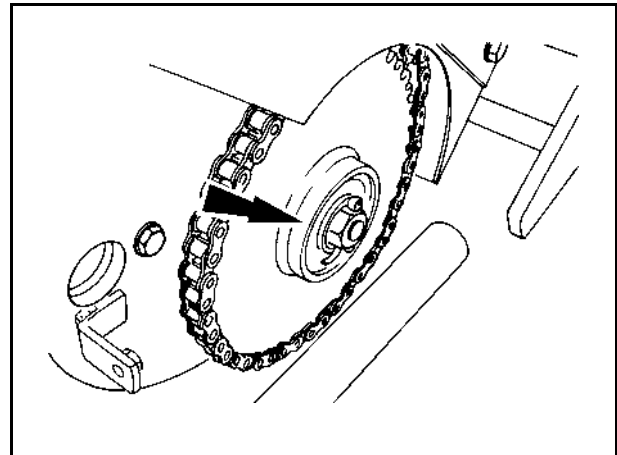
<u>NUMBER</u>	<u>MODEL</u>
84070699	BR6090



Overrun Clutch - Pick-Up

Rough field operations and bumpy feeding may result in occasional Pick-Up and feed rotor blockages, sometimes requiring the rotor to be reversed. Installing a special Pick-Up drive sprocket with integrated Overrun Clutch will save Pick-Up tines from bending and failing prematurely.

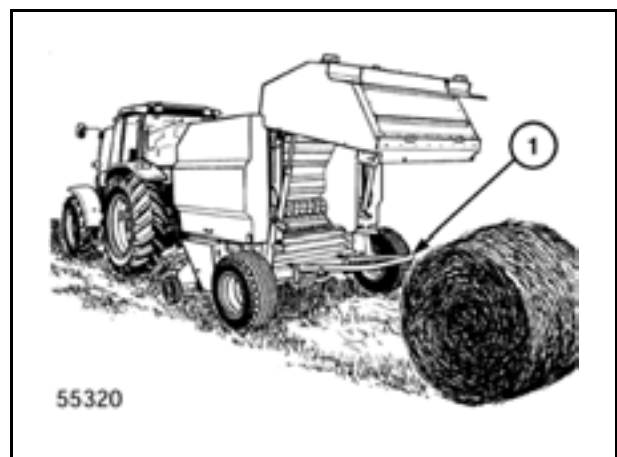
NUMBER **MODEL**
84100188 BR6090/6090Combi



Bale Kicker

The Bale Kicker (1) rolls the bale out of the bale chamber far enough to allow closing of the tailgate without having to move the tractor forward. This means that there is no need to reverse the baler a few meters during the wrap cycle.

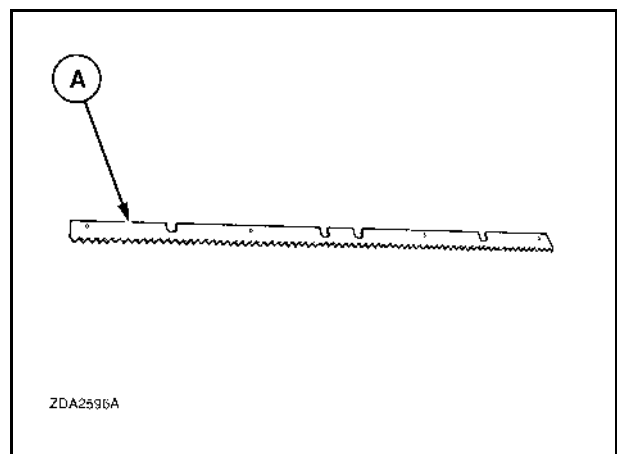
NUMBER **MODEL**
84101814 BR6080



Plastic Film Knife

Some plastic wrap materials have such tensile strength that the standard knife does not cut the plastic. In such a situation install the Serrated Plastic Knife (A).
Note: The Plastic Film Knife can only be used to cut wrapping material made of Plastic sheet and must be removed when net, or twine is used.

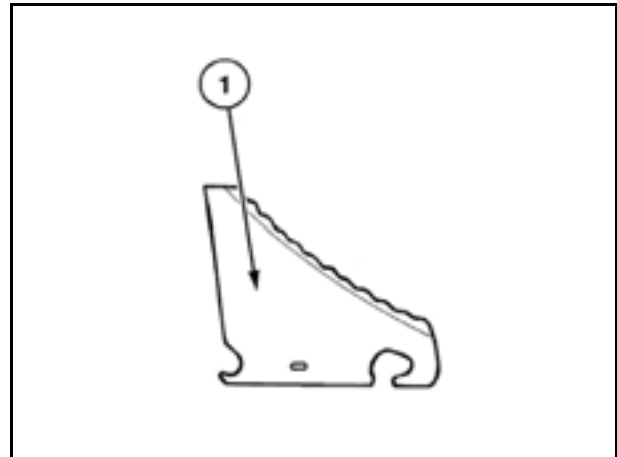
NUMBER **MODEL**
84320568 BR6090/6090Combi



Hard-Faced Knife Kit

These tungsten carbide treated Hard-Faced Knives can be fitted to extend the life of the Knives.

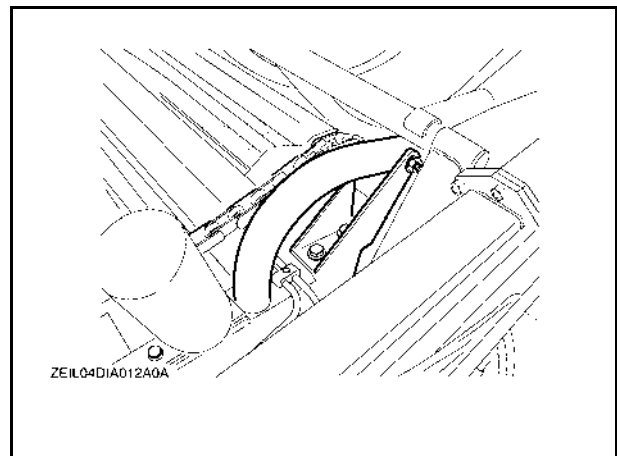
NUMBER	MODEL
84800607	BR6090Combi
15 Knives (84790406)	



Hillside Kit

This Kit contains the bolt-on Bale deflectors (flippers). The Hillside Kit is necessary on hillsides when transferring bale from the transfer fork to the wrapping table.

NUMBER	MODEL
84820087	BR6090Combi

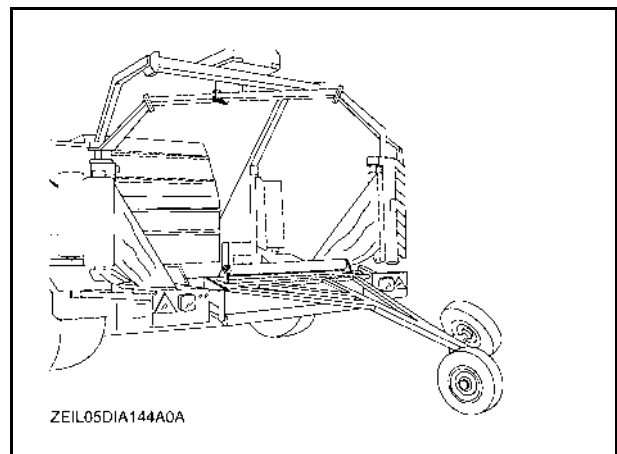


Quarter Turn Bale Kit

This DIA Kit is easily fitted to existing and new Wrappers for customers wishing to put Bales on end.



NUMBER	MODEL
84972909	BR6090Combi
Season 2005 & Earlier	
84972910	BR6090Combi
Season 2006 & Onward	

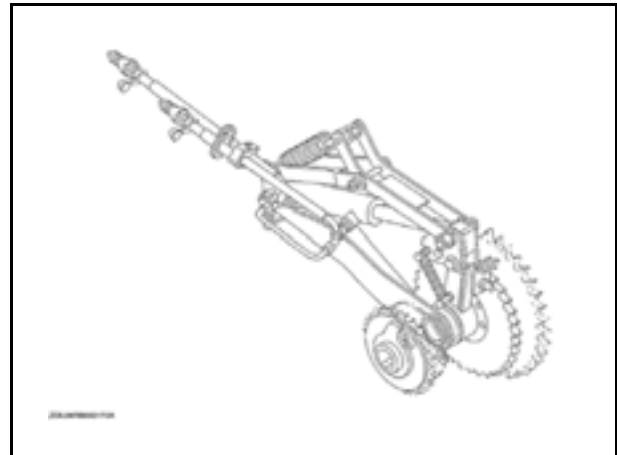


Hydraulic Rotor Reverse Kit

This Kit provides an alternative to manual Reversing the Rotor direction in the event of a blockage. The hydro mechanical system will reverse the Rotor in small steps until the blockage can be cleared.
 Note: This Kit can be installed on both Rotor Cutter & Rotor Feeder machines.



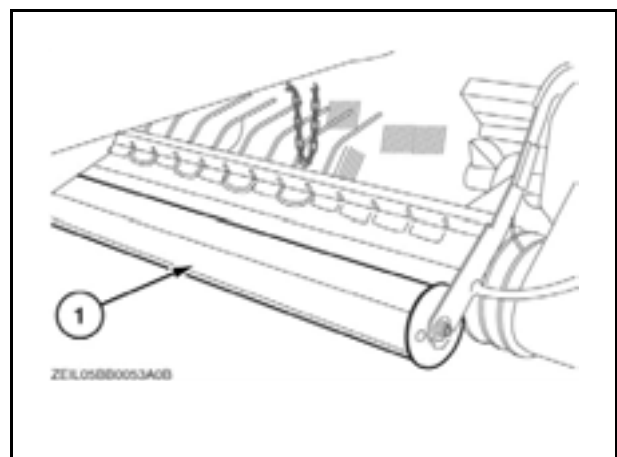
<u>NUMBER</u>	<u>MODEL</u>
87343451	BR6090
Season 2006 & Onward	
87343457	BR6090
Season 2005 & Earlier	



Roller Windguard Kit

The Roller Windguard is designed to be fitted ahead of the standard plate type to achieve a smoother flow when working in heavy crop conditions.

<u>NUMBER</u>	<u>MODEL</u>
87343460	BR6090/6090Combi



Rice Straw Anti Wrap Kit

This Kit prevents Wrapping of Rice Straw on the ends of the Rotor.

<u>NUMBER</u>	<u>MODEL</u>
87633075	BR6090/6090Combi

